



# AIM Magnet Co.,Ltd

Tel:(86-755)27230926

Fax:(86-755)23122920

<https://www.aimmagnets.com>

[Email:sales@magnet168.com](mailto:sales@magnet168.com)

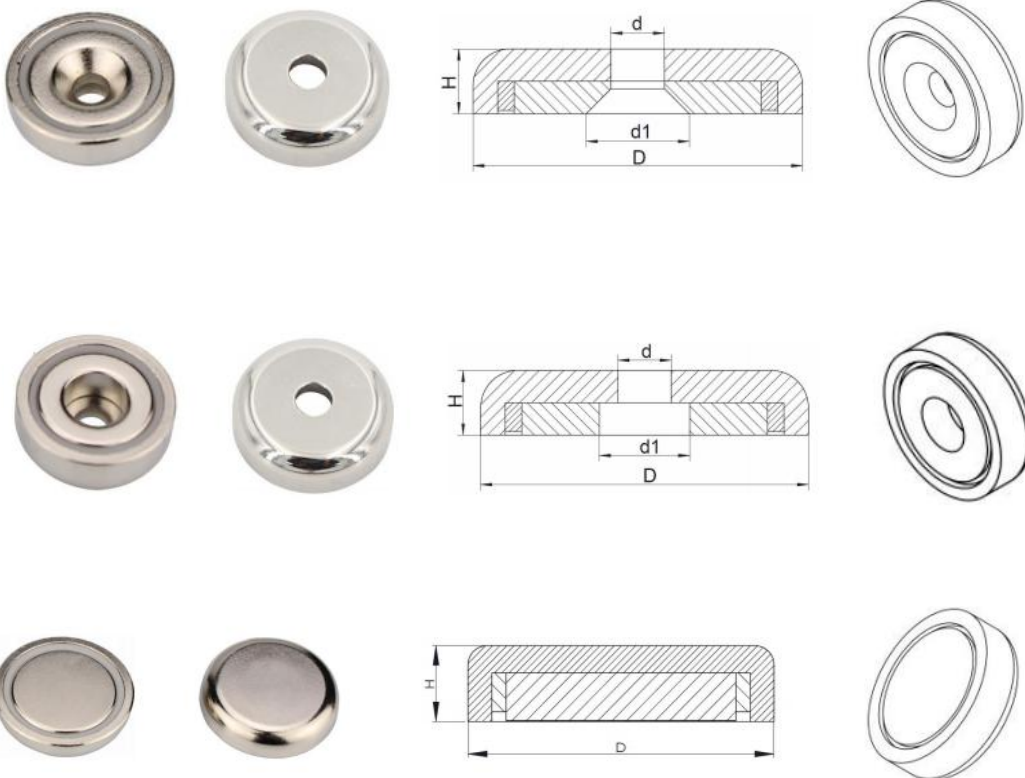
## What is neodymium pot magnet?

### Size of pot magnet

According to customized request, neodymium magnet can make to different shape/different size. Neodymium magnets or NdFeB pot magnets are round/block shaped Neodymium magnets with Iron shell components. All the neodymium pot magnet size and magnetic force is customized under customer's requested. Such as Pot Magnet Hook Magnet, Pot Magnet Fishing Magnet, Pot Magnet Rubber Coating Magnet, Pot Magnet Pin Magnet/Office Magnet, Pot Magnet Magnetic Lifter, Pot Magnet Magnetic Tool, Etc.

### How to express pot magnet size?

The pot magnet size please check below pictures. We have some standard size,also can make customized pot magnet according to customer request magnetic force. please feel free to contact us for details.



### **What is size tolerance of pot magnet?**

Neodymium magnet size tolerance: usually is +/-0.1mm, according to different size request.

### **Magnetizing direction of pot magnet**

Generally the NdFeB/Neodymium pot magnets are axially magnetized.

### **What is pot magnet used for?**

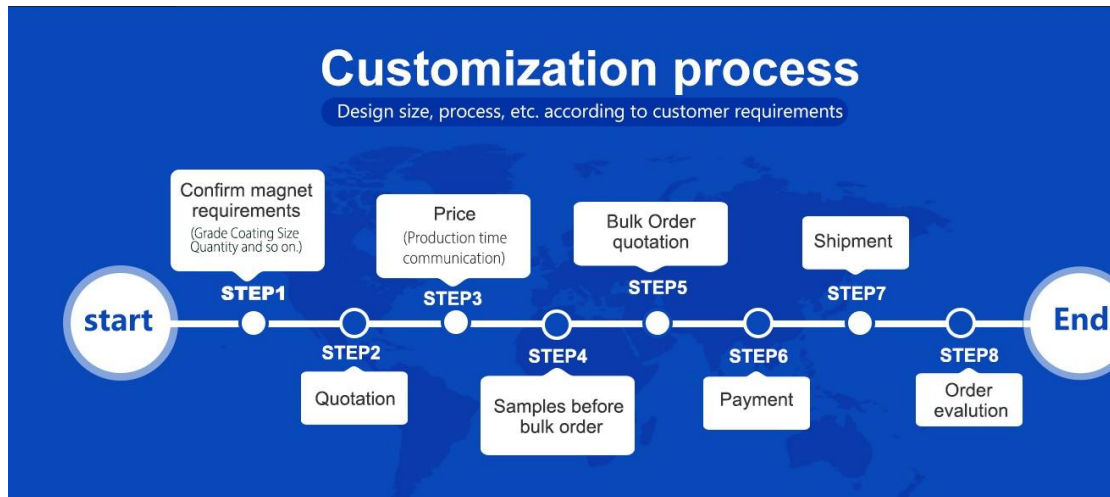
- A. Life consumption: clothing, bag, leather case, cup, glove, jewelry, pillow, fish tank, photo frame, watch;
- B. Electronic product: keyboard, electronic cigarette, display, smart bracelet, computer, mobile phone, sensor, GPS locator, Bluetooth, camera, audio, LED;
- C. Home-based: Lock, table, chair, cupboard, bed, curtain, window, knife, lighting, hook, ceiling;
- D. Mechanical equipment & automation: motor, unmanned aerial vehicles, elevators, security monitoring, dishwashers, magnetic cranes, magnetic filter.

### **Safety Warning:**

1. Make sure keep the magnets are out of reach children and pets, it is not a TOY, and small magnets will pose a choking hazard.
2. Watch your fingers, as they are very strong magnets, which are difficult to pull apart and fly together quickly from far away, so it is very easy to pinch fingers between attracting poles.
3. Keep the magnets far way from medical devices, electronic products, and magnetic media, as our magnets have strong magnetic fields which may affect and/or disrupt the functioning of these medical devices, electronic products, and magnetic media.
4. Magnets are fragile, they can crack, chip, or shatter if allowed to slam against each other. so make sure handle with care, eye protection glasses.

### **How to order neodymium pot magnet?**

1. When send inquiry, please advise your details requirements for pot magnets.
2. According to customer request, will offer our quotation and production time, if customer have samples, also can send samples for your test firstly, we will offer quotation according to customer's samples.
3. AIM Magnet samples production before bulk order production.
4. Confirm PO/PI and payment.
5. Mass production.
6. Shipment.
7. Assist customers to follow up the delivery status, after-sales follow-up.



### Buyer Guide :

In order to quote you the best price quickly . please provide the following information of neodymium pot magnet;

1. neodymium magnet shape, size , grade , coating, magnetic force, ect;
2. Order quantity;
3. Attached the drawing if customized;
4. Any special packing or other requirement;
5. The neodymium magnet application(product) and working temperature;