



AIM Magnet Co.,Ltd

Tel:(86-755)27230926

Fax:(86-755)23122920

<https://www.aimmagnets.com>

[Email:sales@magnet168.com](mailto:sales@magnet168.com)

What are magnetic hooks/ hook magnets?

Size of hook magnet

As super strong magnet,neodymium magnet can make to different shape/different size.Hook magnets have a strong pull force and are usually available in a fixed size and specification for customers to choose.But if you need to customize the size, we also support and welcome.

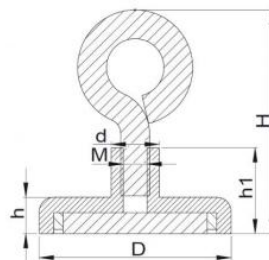
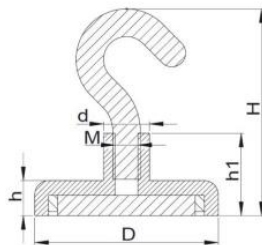
Size range: Diameter size: 10-320mm

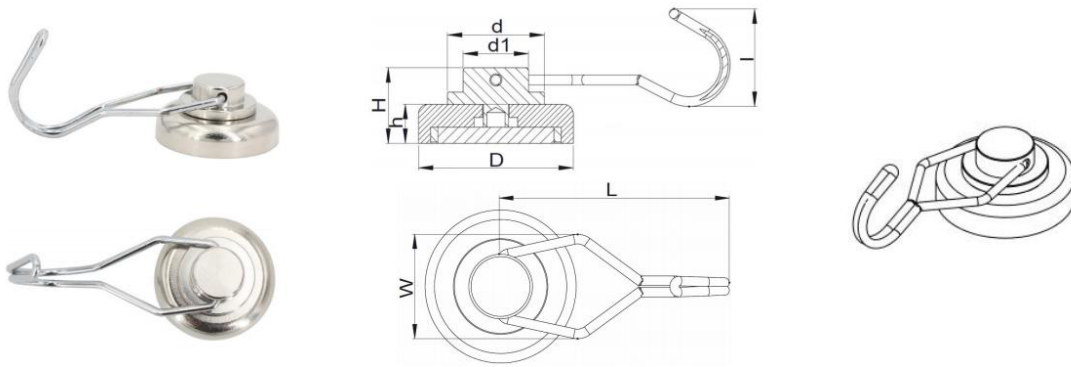
Pulling force: Usually is 2-500KG

How to express hook magnet size?

The first letter is the hardware processing method.The second letter is hook magnet material used, N for NdFeB Magnet, F for Ferrite Magnet.The third letter represents the type, E for open hook, F for closed hook, G for rotary hook, etc.The digital section represents the diameter size of the hook magnet.

For example: SNE32 means 32mm diameter open hook neodymium hook magnet.





Do hook magnets stick to aluminum?

No! According to our daily experience aluminum doesn't stick to magnets. Hook magnets can only attract metals that contain iron or magnetic items. Like as refrigerator, magnetic whiteboard, etc.

What's the best hook magnet for magnet fishing?

It is a neodymium hook magnet as they have huge pulling force. Fishing magnets are a type of closed-hook hook magnet that can pull up to Max. 3,000 kg (6,600 lb). Our hot selling sizes are LN70, LN75, LN90, LN120 and so on.

How do you use a magnet hook?

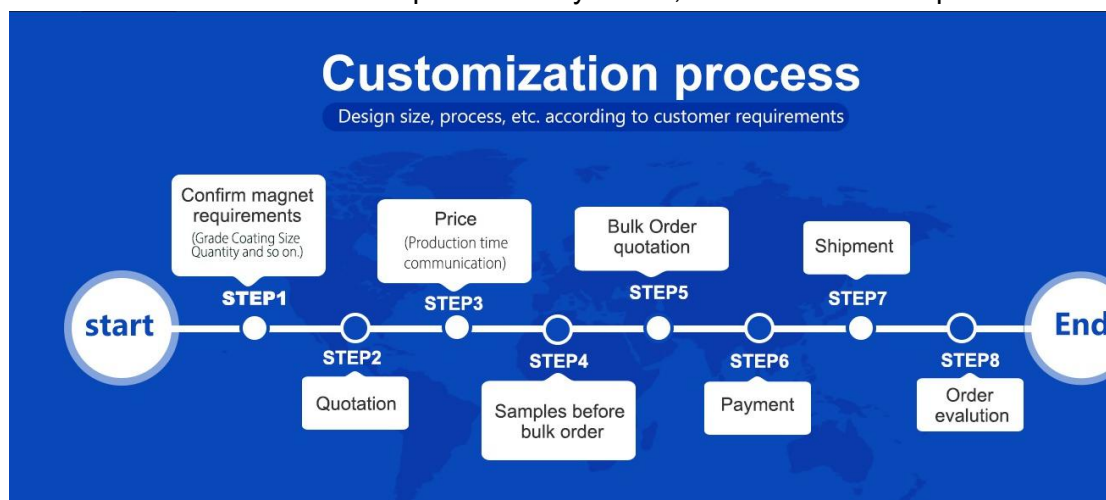
Hook magnet can attach to any metal surface to provide a convenient hanging spot. Choose different specifications and different pulling force sizes according to your actual application. In daily life, you can use hook magnet to hang keys, hats, bags, kitchen items, anything you want.

Safety Warning:

1. Make sure keep the magnets are out of reach children and pets, it is not a TOY, and small magnets will pose a choking hazard.
2. Watch your fingers, as they are very strong magnets, which are difficult to pull apart and fly together quickly from far away, so it is very easy to pinch fingers between attracting poles.
3. Keep the magnets far away from medical devices, electronic products, and magnetic media, as our magnets have strong magnetic fields which may affect and/or disrupt the functioning of these medical devices, electronic products, and magnetic media.
4. Magnets are fragile, they can crack, chip, or shatter if allowed to slam against each other. So make sure handle with care, eye protection glasses.

How to order hook magnet?

1. When send inquiry, please advise your details requirements for hook magnets and whether custom packaging is needed.
2. According to customer request, will offer our quotation and production time, if customer have samples, also can send samples for your test firstly, we will offer quotation according to customer's samples.
3. AIM Magnet samples production before bulk order production.
4. Confirm PO/PI and payment
5. Mass production.
6. Shipment
7. Assist customers to follow up the delivery status, after-sales follow-up.



Buyer Guide :

In order to quote you the best price quickly . please provide the following information of hook magnet:

1. neodymium magnet size, pulling force, coating, ect
2. Order quantity
3. Attached the drawing if customized
4. Any special packing or other requirement
5. The neodymium magnet application(product) and working temperature.